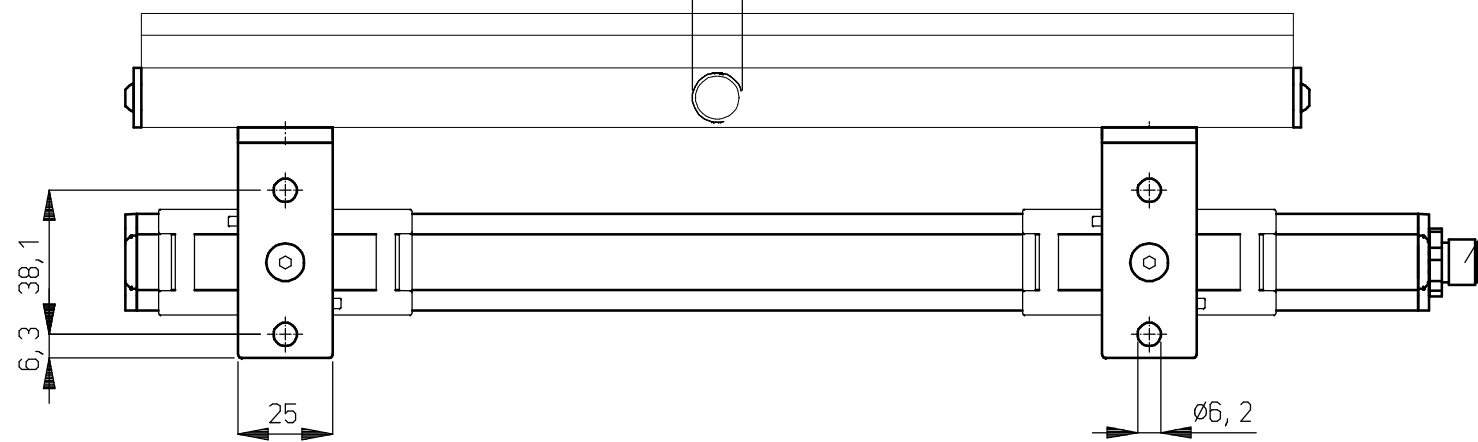
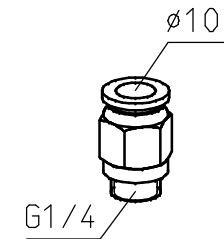


G1/4 (Compressed air inlet Qx)

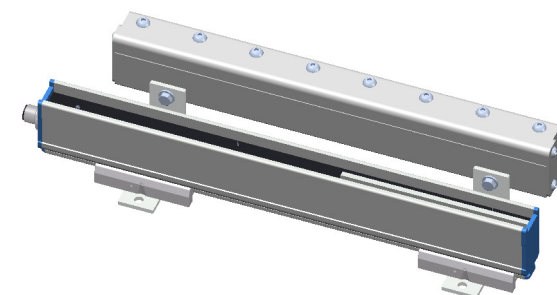
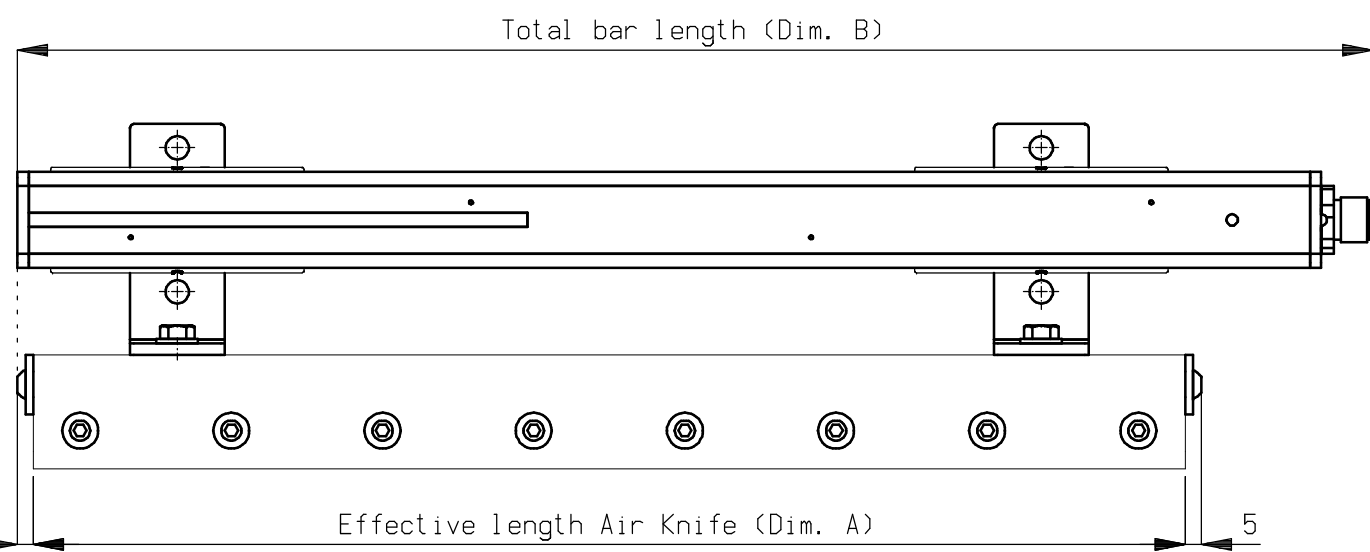
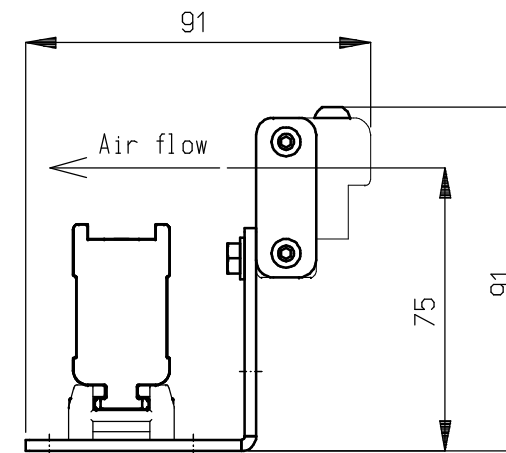
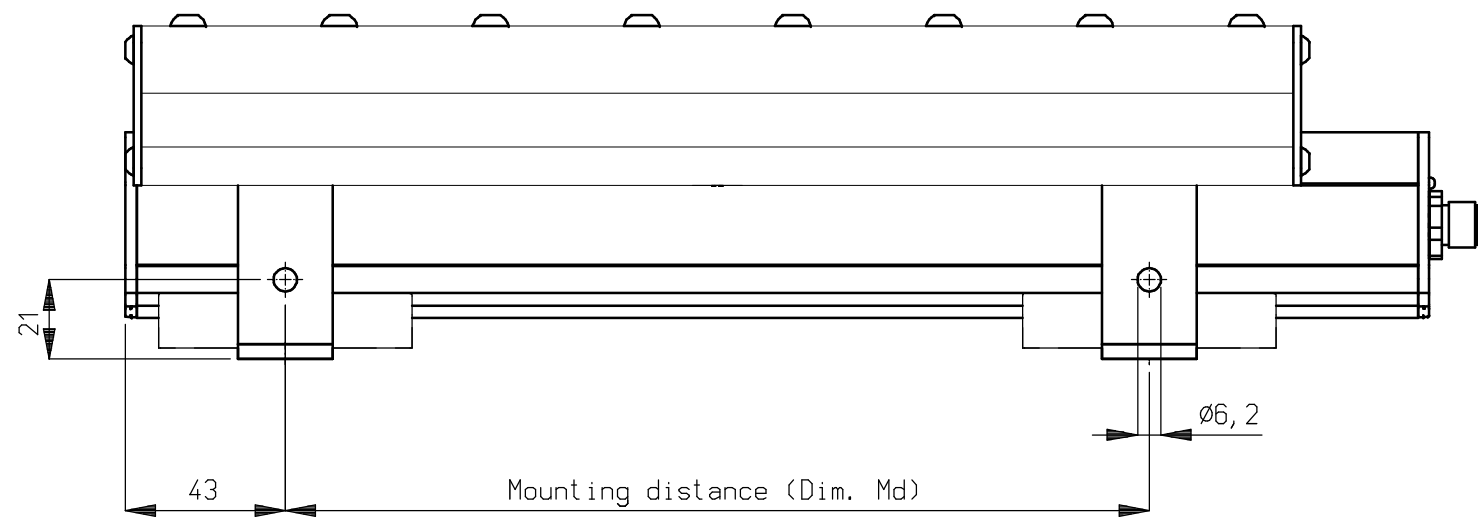


CABLE END with
M12 male 5 pole
connector

- For overview of connections and power
supplies see drawing 15310100

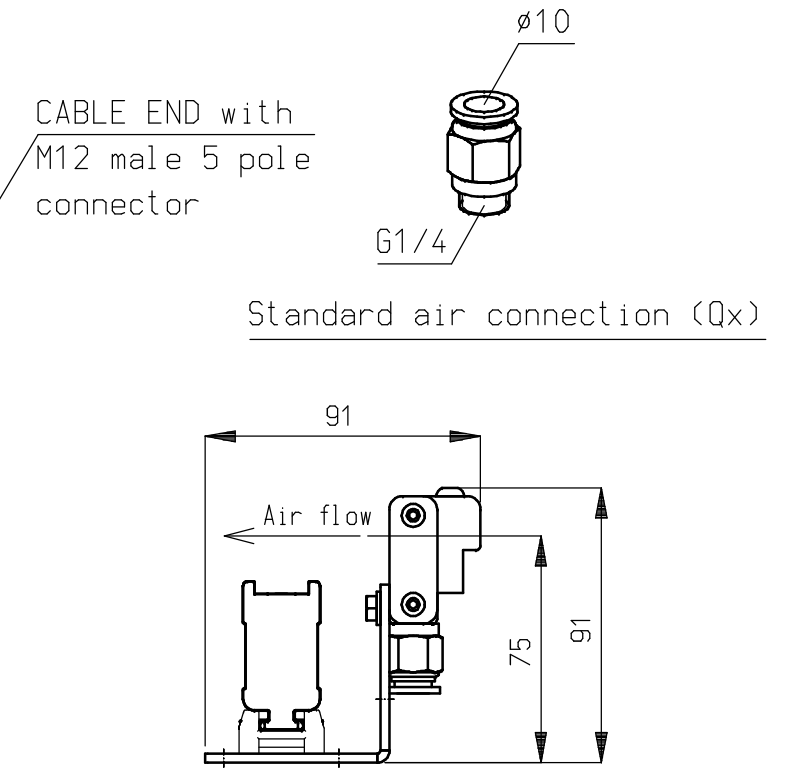
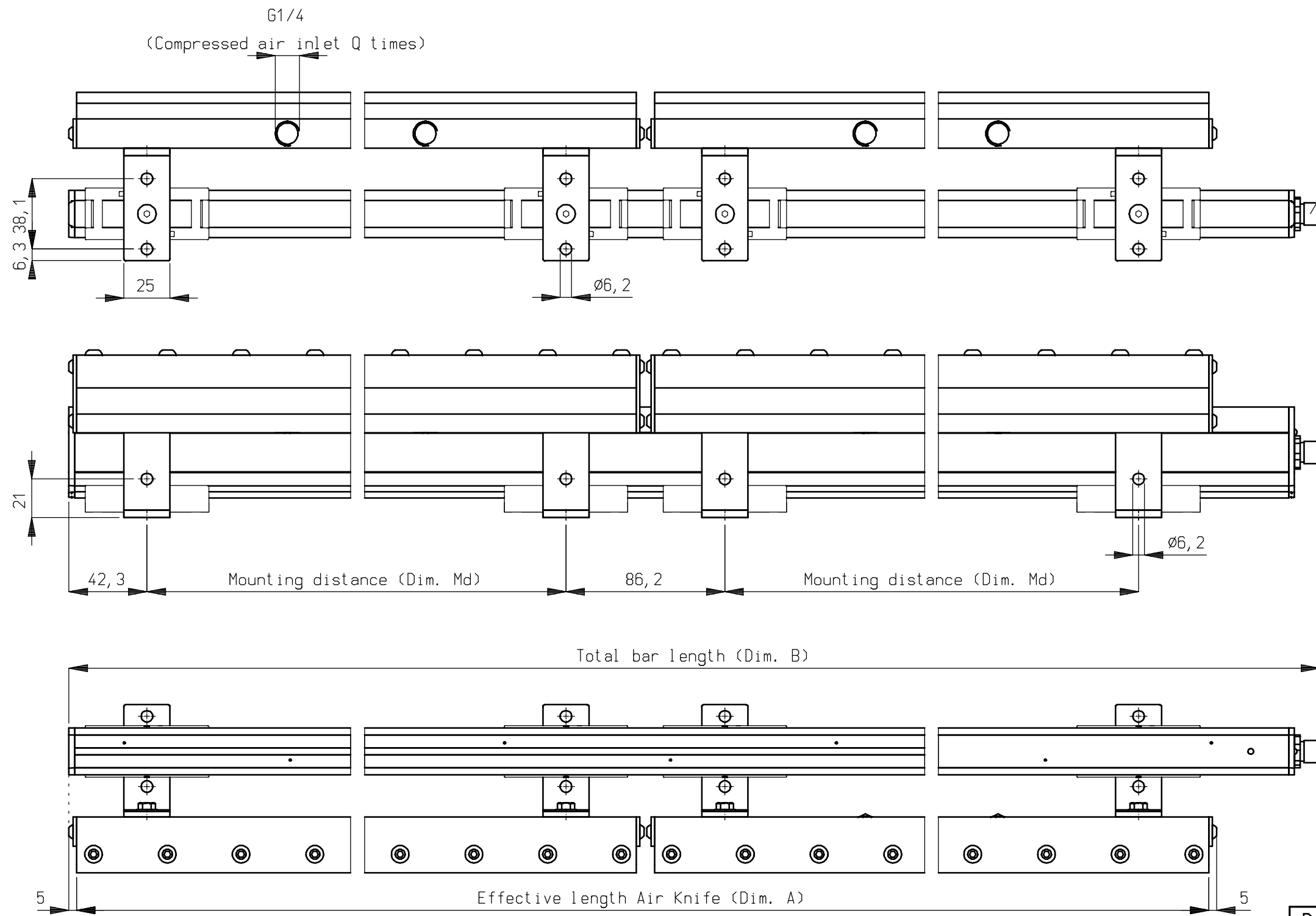


Standard air connection (Qx)



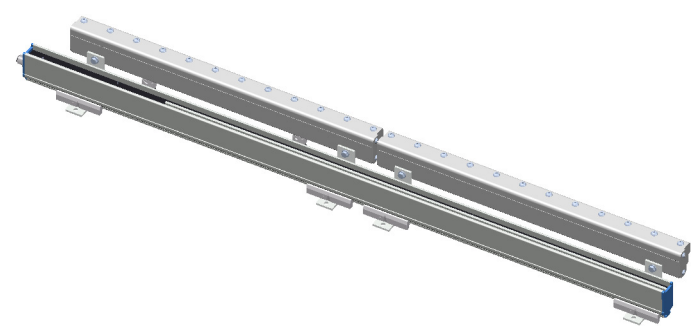
Dimensions table				
Air Knife	Dim. A	Dim. B	Dim. Md	Q
6"	152,4	300	76,2	1
12"	304,8	360	228,6	1
18"	457,2	540	381,0	2
24"	609,6	720	533,4	2

<p>SIMCO ION An ITW Company www.simco-ion.nl Tel: +31 (0)573 288333</p>	Name: Performax IQ Easy with Air Knife 6" - 24"				Drawn: AB	Part no.: -
	CAD generated NOT updated	Dimensions in mm	Date: 24-2-2015	A3 M: 1:2	ECN-	Check: -



Mounting distances	
Air Knife	Md
12"	228,6
18"	381,0
24"	533,4

Dimensions table				
Air Knife *	Dim. A	Dim. B	Brackets	Q
30" (12+18)	772,0	810	4	3
36" (18+18)	924,4	990	4	4
42" (18+24)	1076,8	1170	4	4
48" (24+24)	1229,2	1260	4	4
54" (18+18+18)	1391,6	1440	6	6
60" (18+18+24)	1544,0	1620	6	6
66" (18+24+24)	1696,4	1800	6	6
72" (24+24+24)	1848,8	1890	6	6



NOTES:

- * The longest Air Knife is placed at the CABLE END of the bar
- For overview of connections and power supplies see drawing 15310100