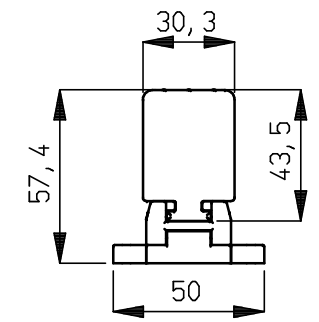
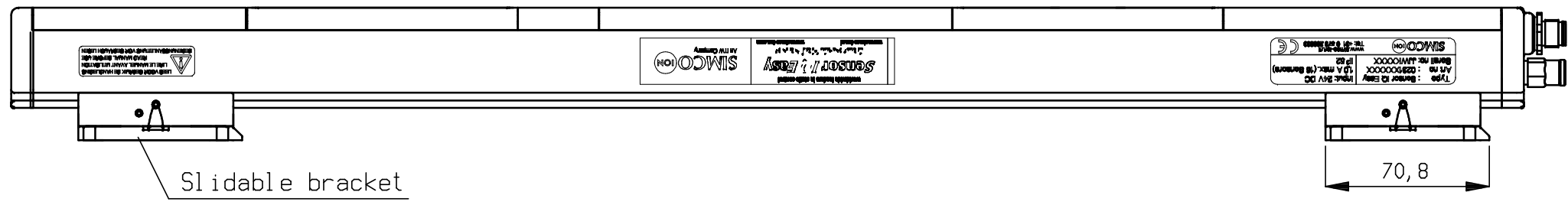
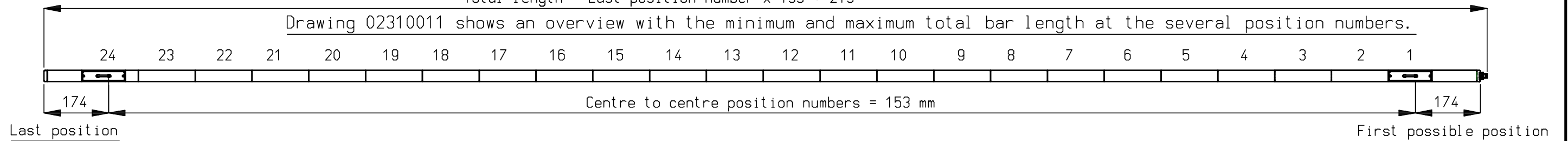


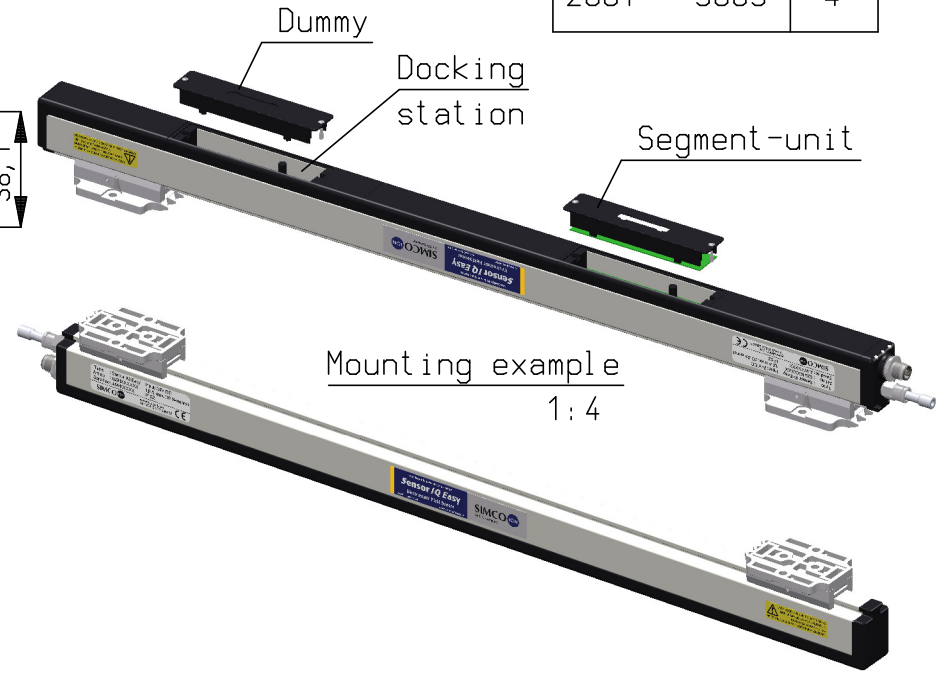
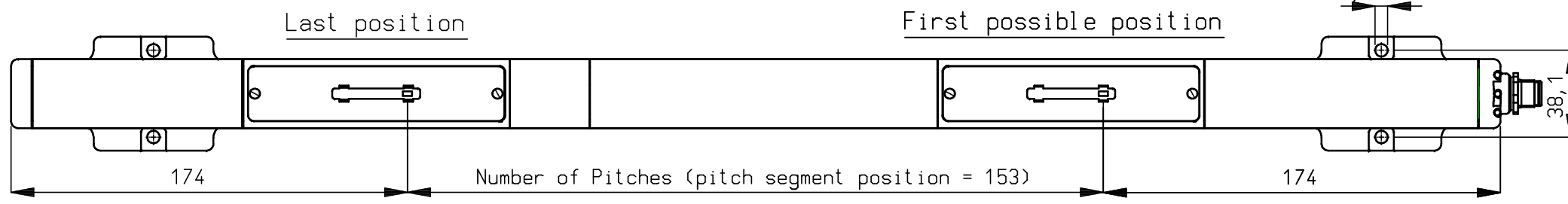
Top View 1:10

Total length = Last position number x 153 + 213

Drawing 02310011 shows an overview with the minimum and maximum total bar length at the several position numbers.

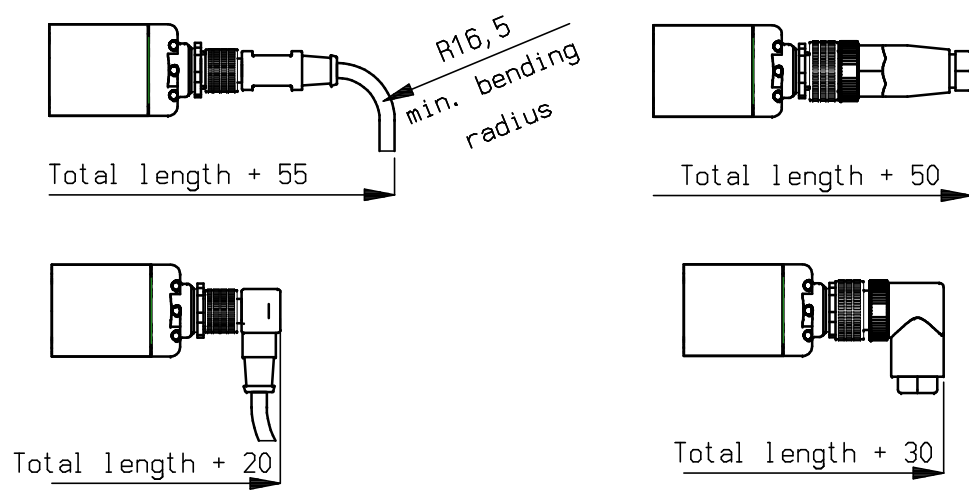


Brackets	
Tot. length	QTY
366 - 1437	2
1590 - 2508	3
2661 - 3885	4



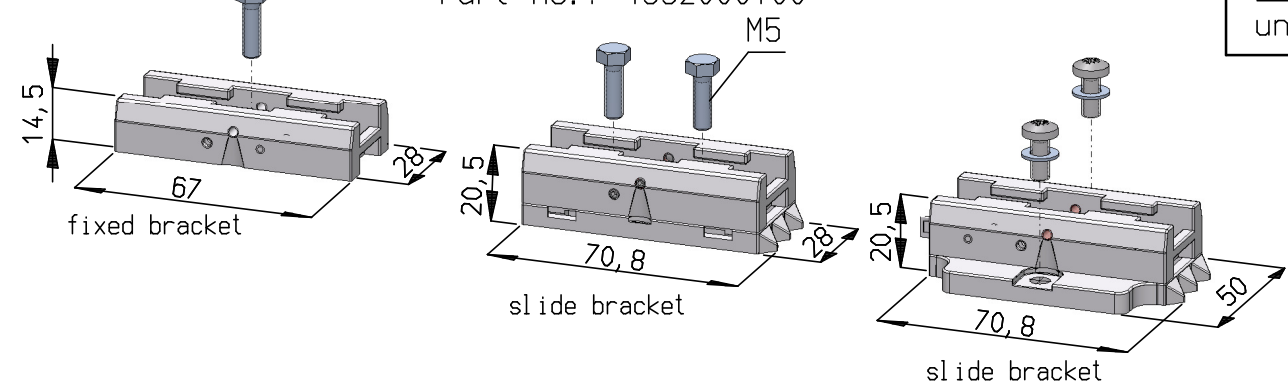
When ordering: 1st. Specify the total length. Minimum 366 mm, maximum 3885 mm
 2nd. Specify the required position number(s) for docking-station(s).
 See also drawing 02310011
 Maximum amount of docking-stations: 16
 3rd. Specify the required position number(s) for segment-unit(s).
 If not specified: segment-unit at each docking-station.

Optional connectors

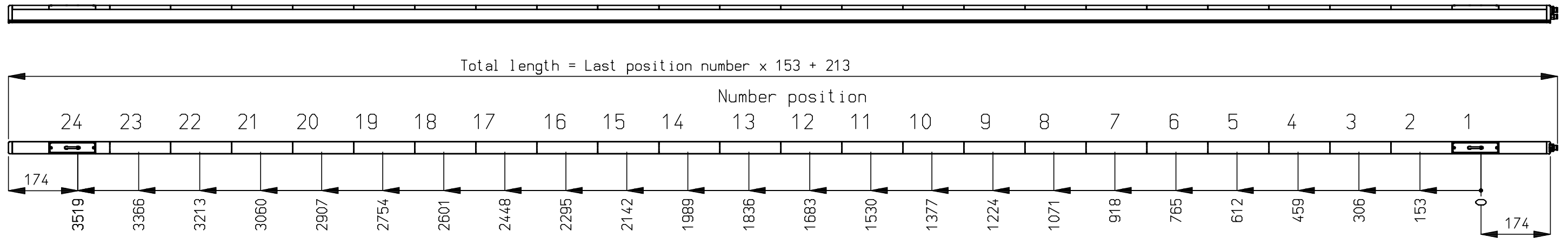


Mounting bracket Bars - options

Part no.: 4532000100



Plug 9290030006
 unused fitting



Position Number	Total length
1	366
2	519
3	672
4	825
5	978

Position Number	Total length
6	1131
7	1284
8	1437
9	1590
10	1743

Position Number	Total length
11	1896
12	2049
13	2202
14	2355
15	2508

Position Number	Total length
16	2661
17	2814
18	2967
19	3120
20	3273

Position Number	Total length
21	3426
22	3579
23	3732
24	3885

When ordering: 1st. Specify the total length. Minimum 366 mm, maximum 3885 mm
 2nd. Specify the required position number(s) for docking-station(s).
 Maximum amount of docking-stations: 16
 3rd. Specify the required position number(s) for segment-unit(s).
 Maximum amount of segment-units: 16
 If not specified: segment-unit at each docking-station.