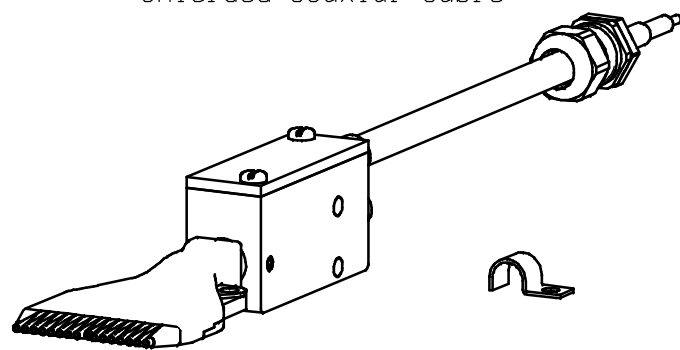


Scale 1:2

Cable exit option

Shielded coaxial cable



Metal cable clamps included with shielded cable

Mounting materials included

Gland



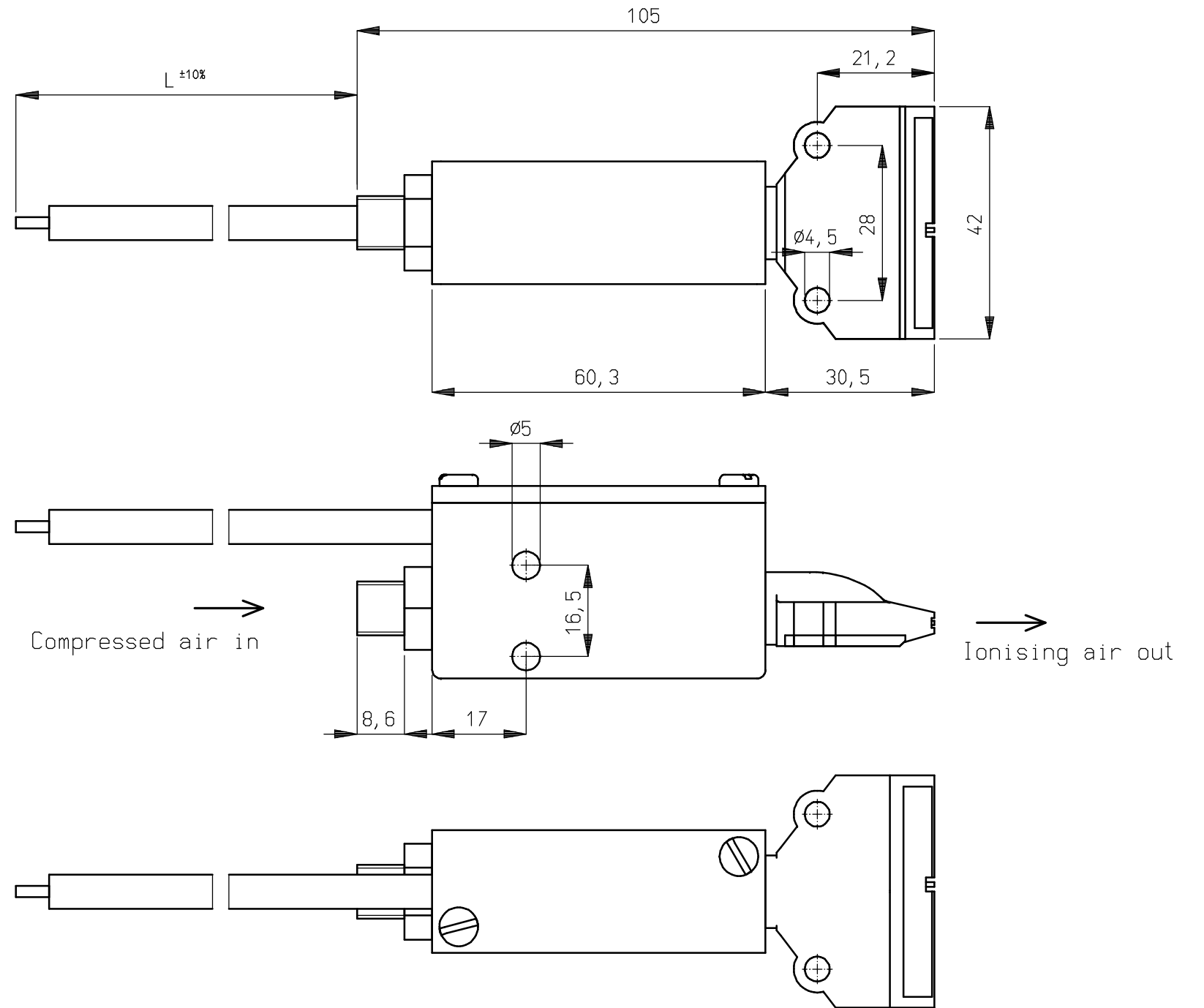
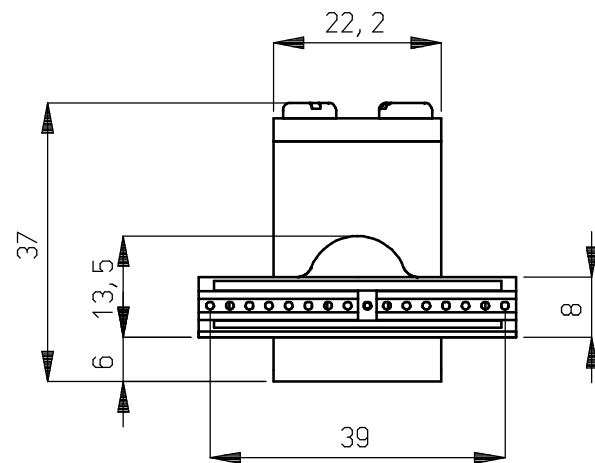
PG-9

ST3, 5x19



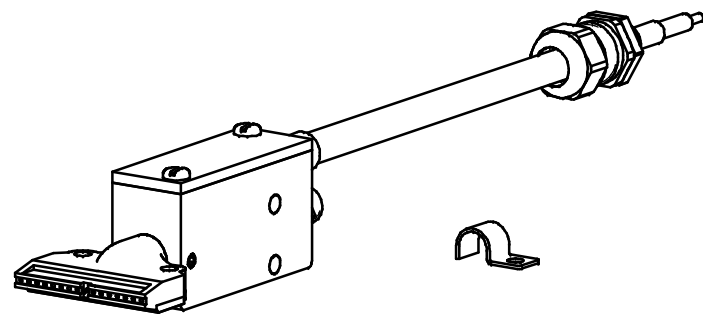
Amount of cable clamps =
(cable length(m)x4)-1
(only with standard HV-cable)

<p>SIMCO ION An ITW Company www.simco-ion.nl Tel: +31 (0)573 288333</p>	Name: Ionising air nozzle type FLAT 1				Drawn: AB	Part no.: 161401xxxx
	CAD generated NOT updated	Dimensions in mm	Date: 22-01-2009	A3 M: 1:1	ECN2018-027	Check: -



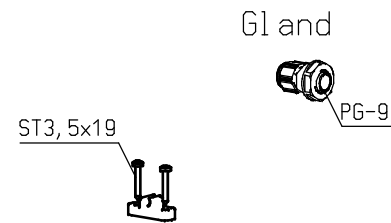
Cable exit option

Shielded coaxial cable

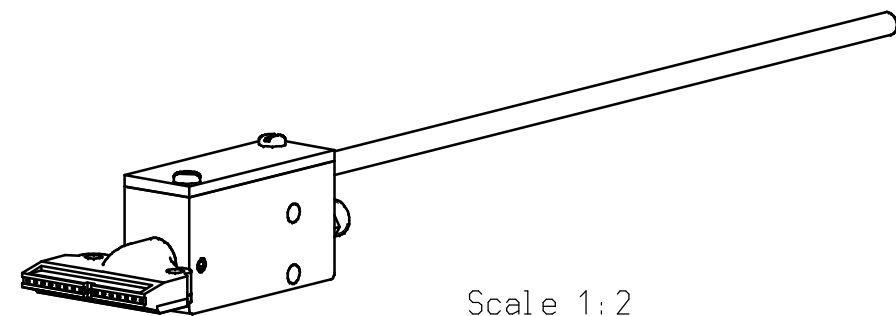


Metal cable clamps included with shielded cable

Mounting materials included



Amount of cable clamps =
 (cable length(m)x4)-1
 (only with standard HV-cable)



 An ITW Company www.simco-ion.nl Tel: +31 (0)573 288333	Name: Ionising air nozzle type FLAT 2				Drawn: AB	Part no.: 161501xxxx
	CAD generated NOT updated	Dimensions in mm	Date: 29-07-2009	A3 M: 1:1	ECN2011-070	Check: -