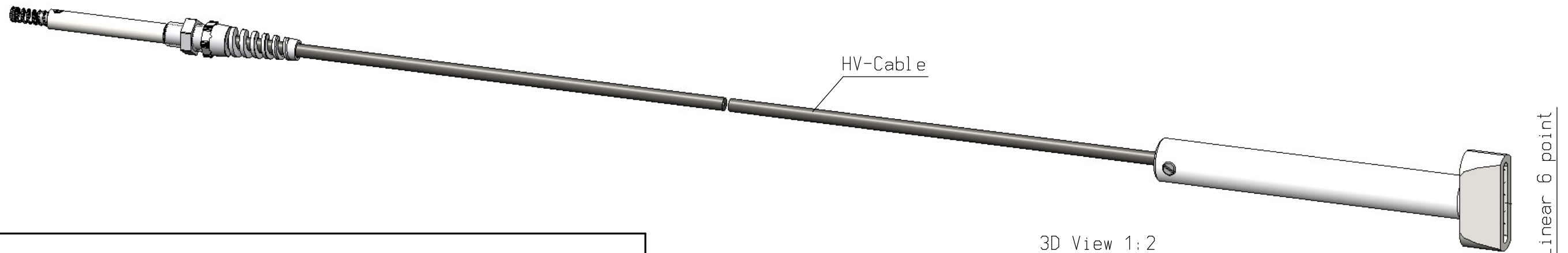
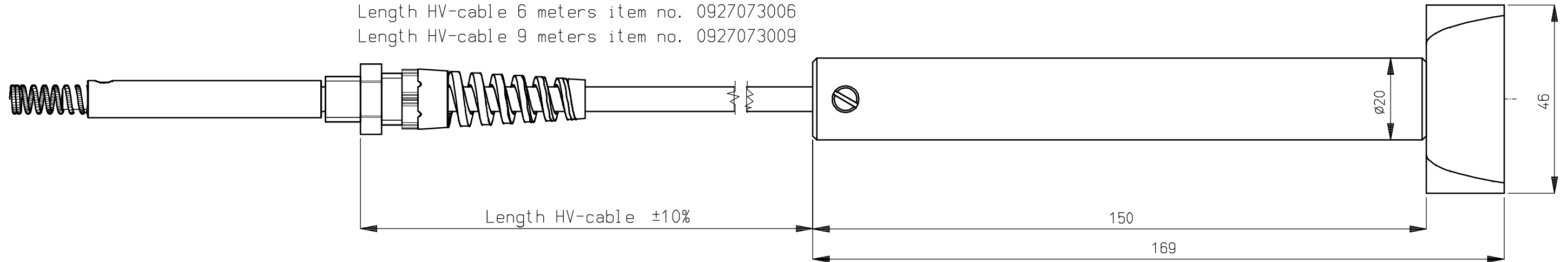


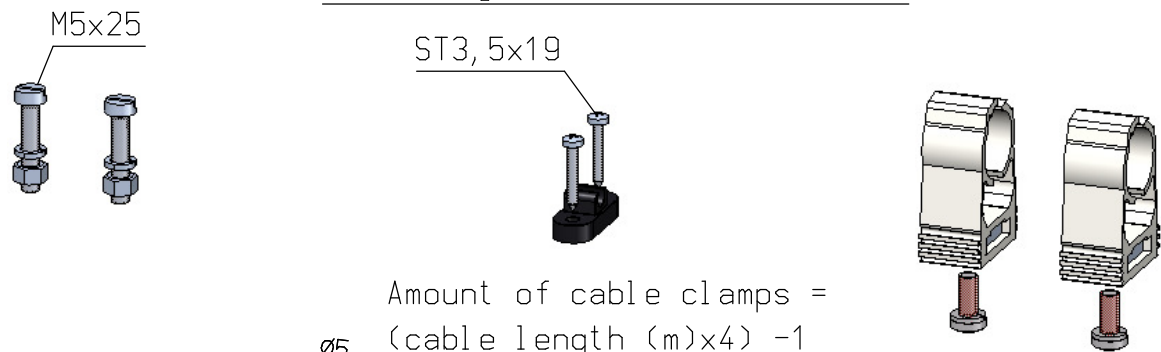
Length HV-cable 3 meters item no. 0927073003
 Length HV-cable 6 meters item no. 0927073006
 Length HV-cable 9 meters item no. 0927073009



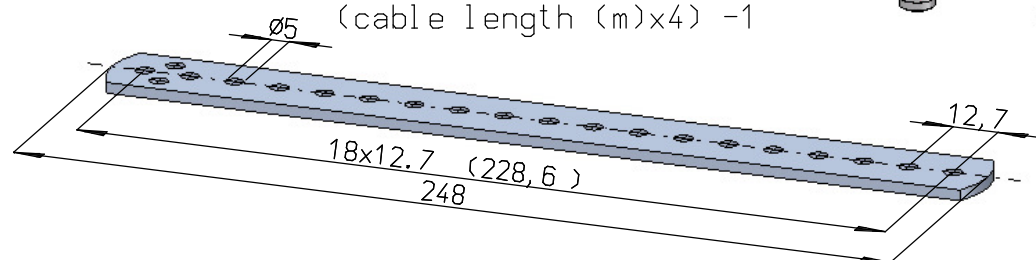
Linear 6 point

Detail head

Mounting materials included

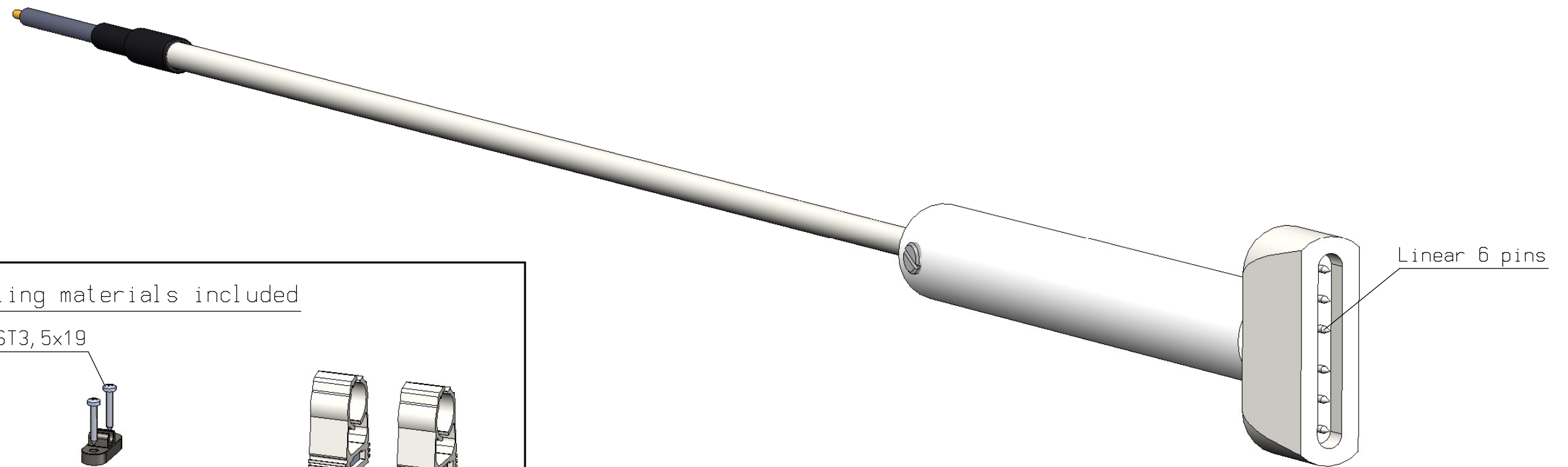
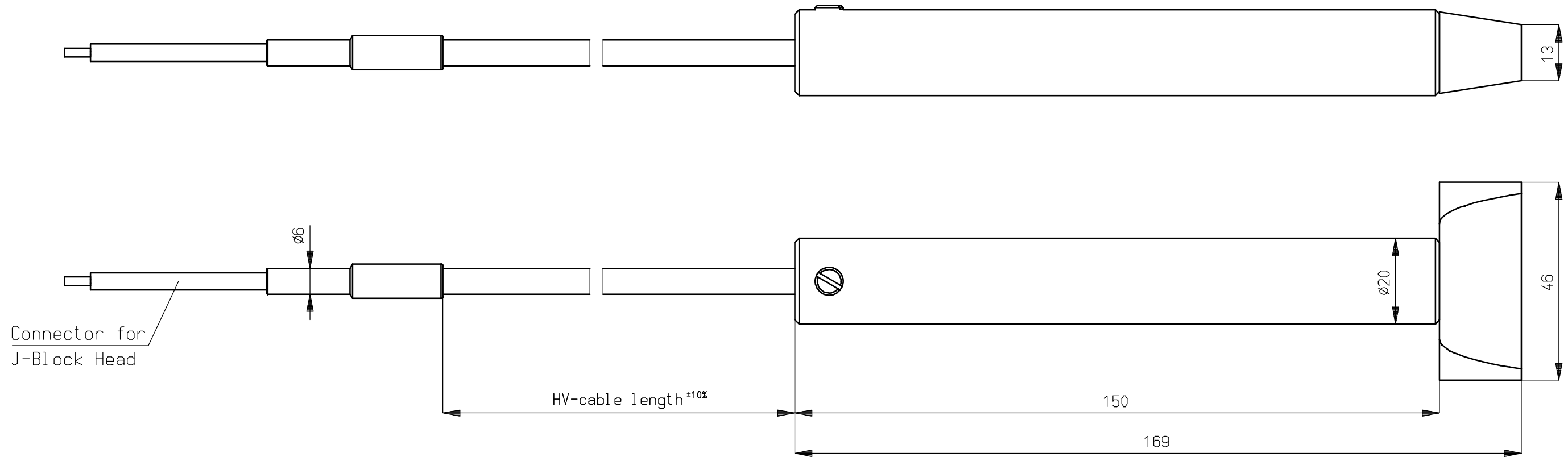


Amount of cable clamps =
 (cable length (m) x 4) - 1



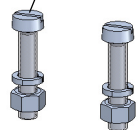
Supply voltage max. 30 kV DC

SIMCO ION An ITW Company www.simco-ion.nl Tel: +31 (0)573 288333		Name: Charging electrode Pinner Linear 6 point			Drawn: MVN	Part no.: -
CAD generated NOT updated	Dimensions in mm	Date: 04-08-2003	A3	M: 1:1	ECN 2012-031	Check: - Dwg. no.: 09270070/E



Mounting materials included

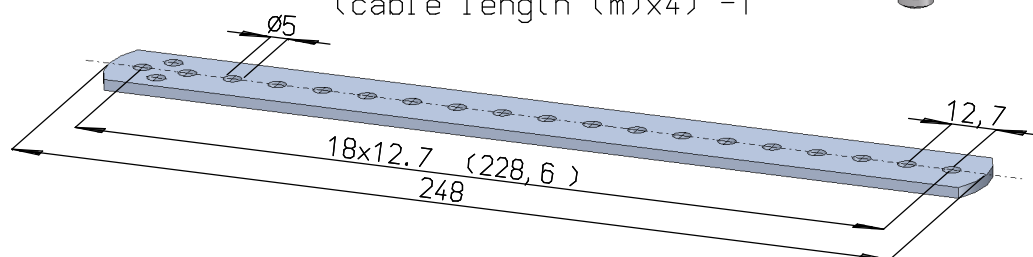
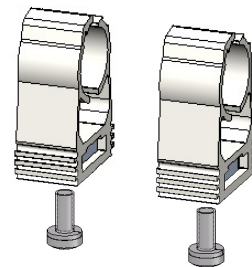
M5x25



ST3, 5x19



Amount of cable clamps =
(cable length (m) x 4) - 1



Supply voltage max. 20 kV DC

 An ITW Company www.simco-ion.nl Tel: +31 (0)573 288333	Name: Pinner Linear 6 Point-JBH (connector for J-Block Head)				Drawn: AB	Part no.: -
	CAD generated NOT updated	Dimensions in mm	Date: 27-8-2015	A3 M: -	ECN-	Check: -