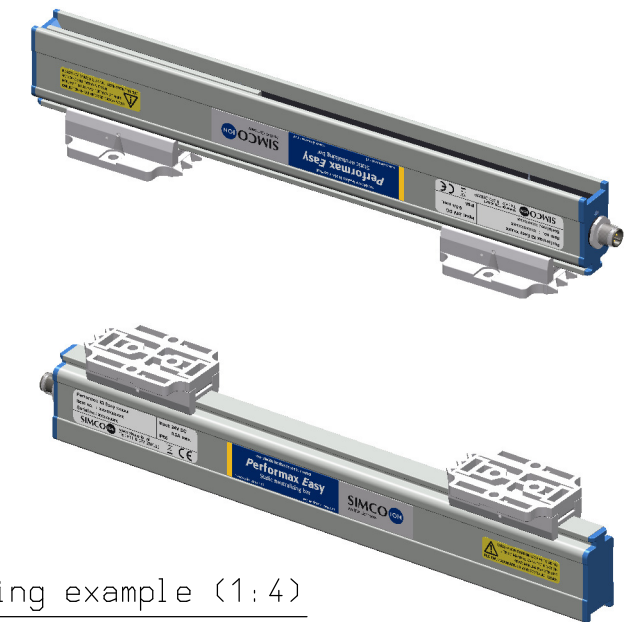
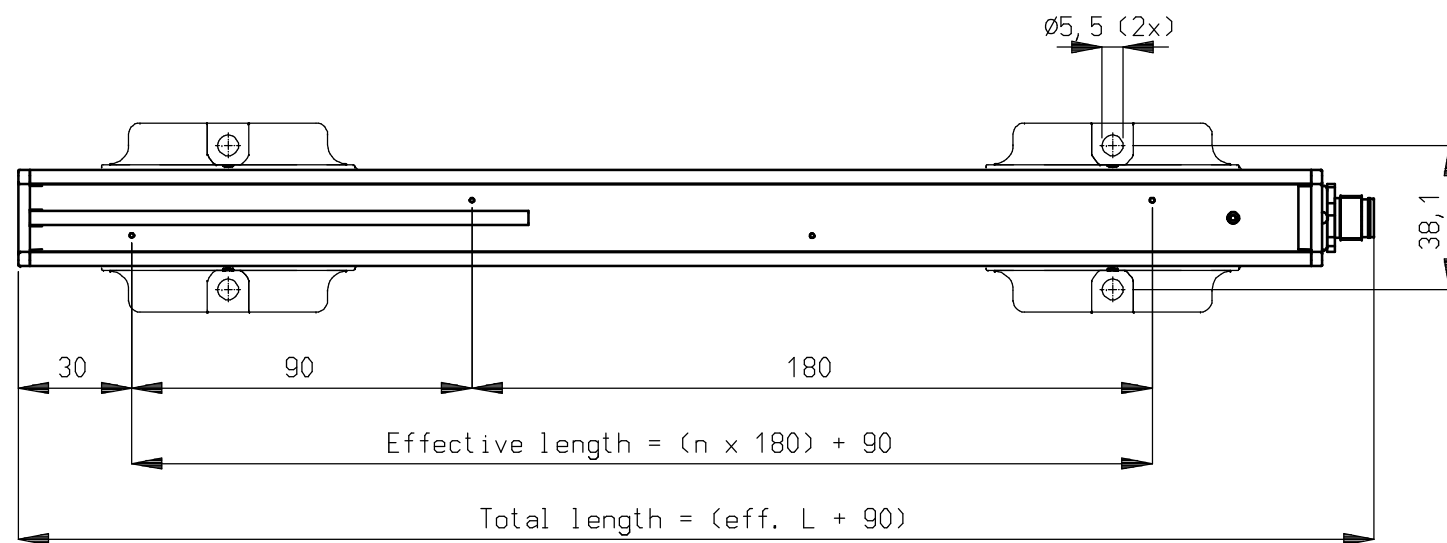
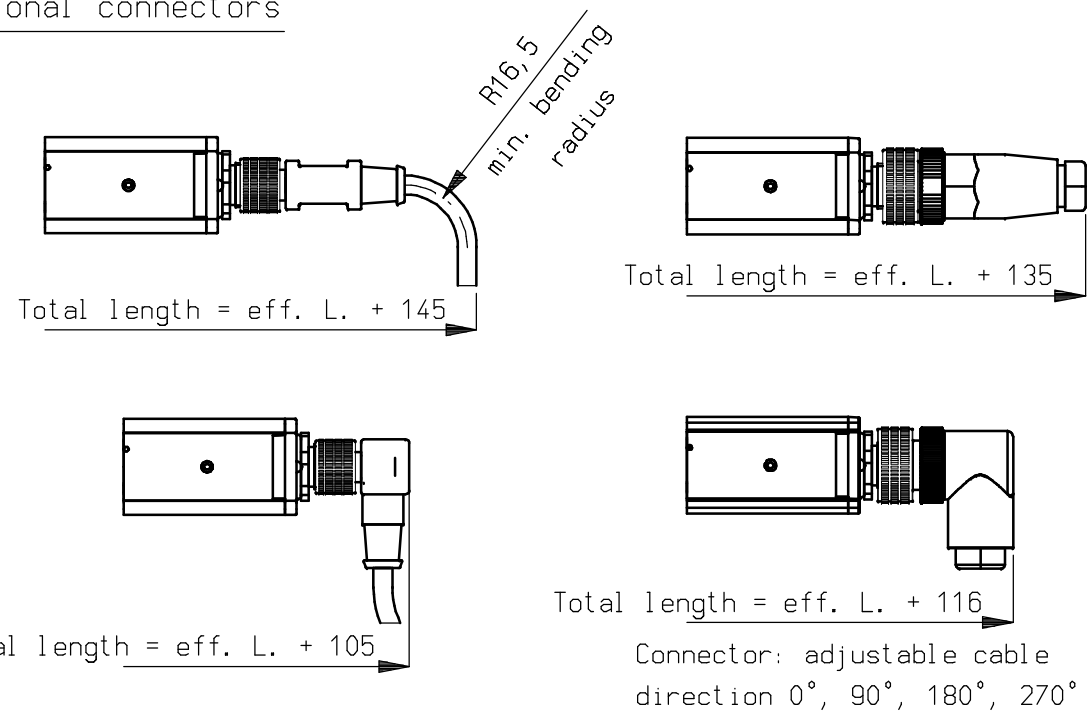


Brackets	
Tot. length	QTY
360 - 900	2
1080 - 1980	3
2160 - 2880	4
3060 - 3960	5
4140 - 4860	6



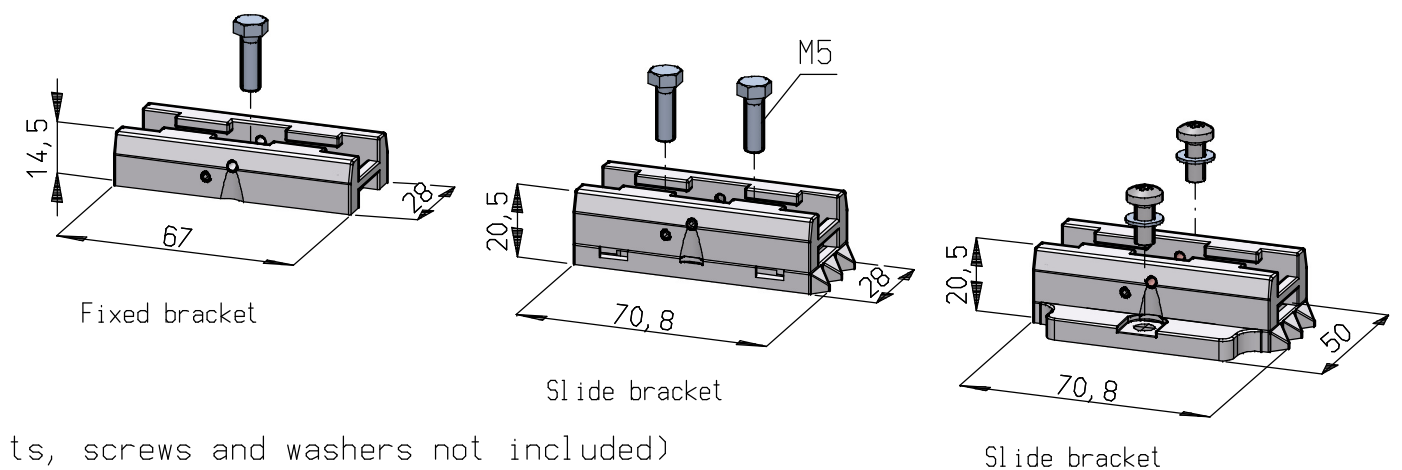
Mounting example (1:4)

Optional connectors



Mounting bracket bars - options

Part no. 4532000100



 An ITW Company	Name: Performax IQ Easy					Drawn: AB	Part no.: 153101xxxx
	CAD generated NOT updated	Dimensions in mm	Date: 15-11-2013	A3	M: 1:2	ECN-	Check: -

www.simco-ion.nl Tel: +31 (0)573 288333