



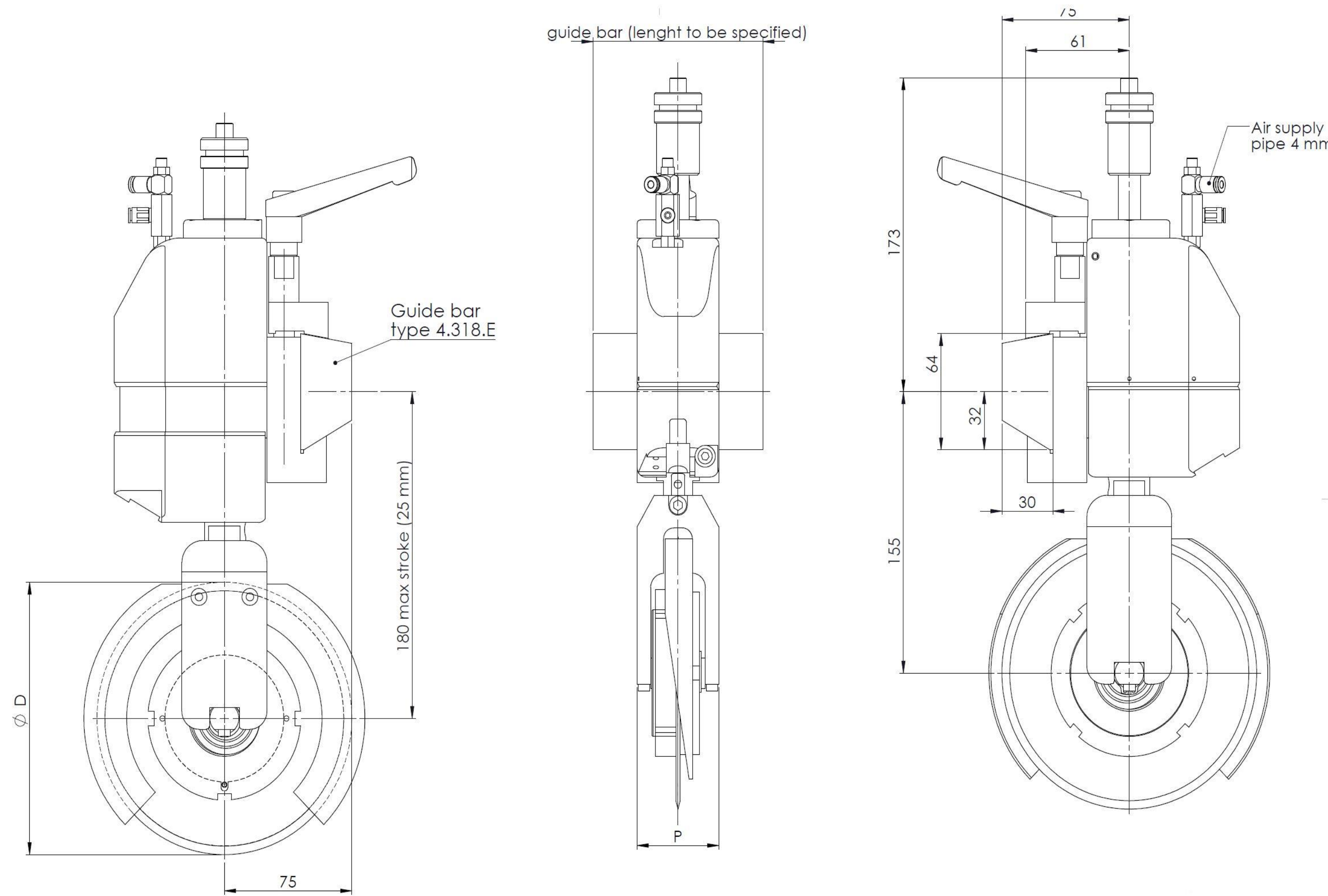
JCS3-TP48 Crush cutting knifeholders

For paper, textile, fibreglass, nonwoven, rubber

Paper	Up to 600gr/m ²
Plastic, Film	No
Nonwoven	500gr/m ²
Max speed	400m/min
Min. slit	50mm
Blade stroke, max	25mm
Pressure at 6Bar	50Kg

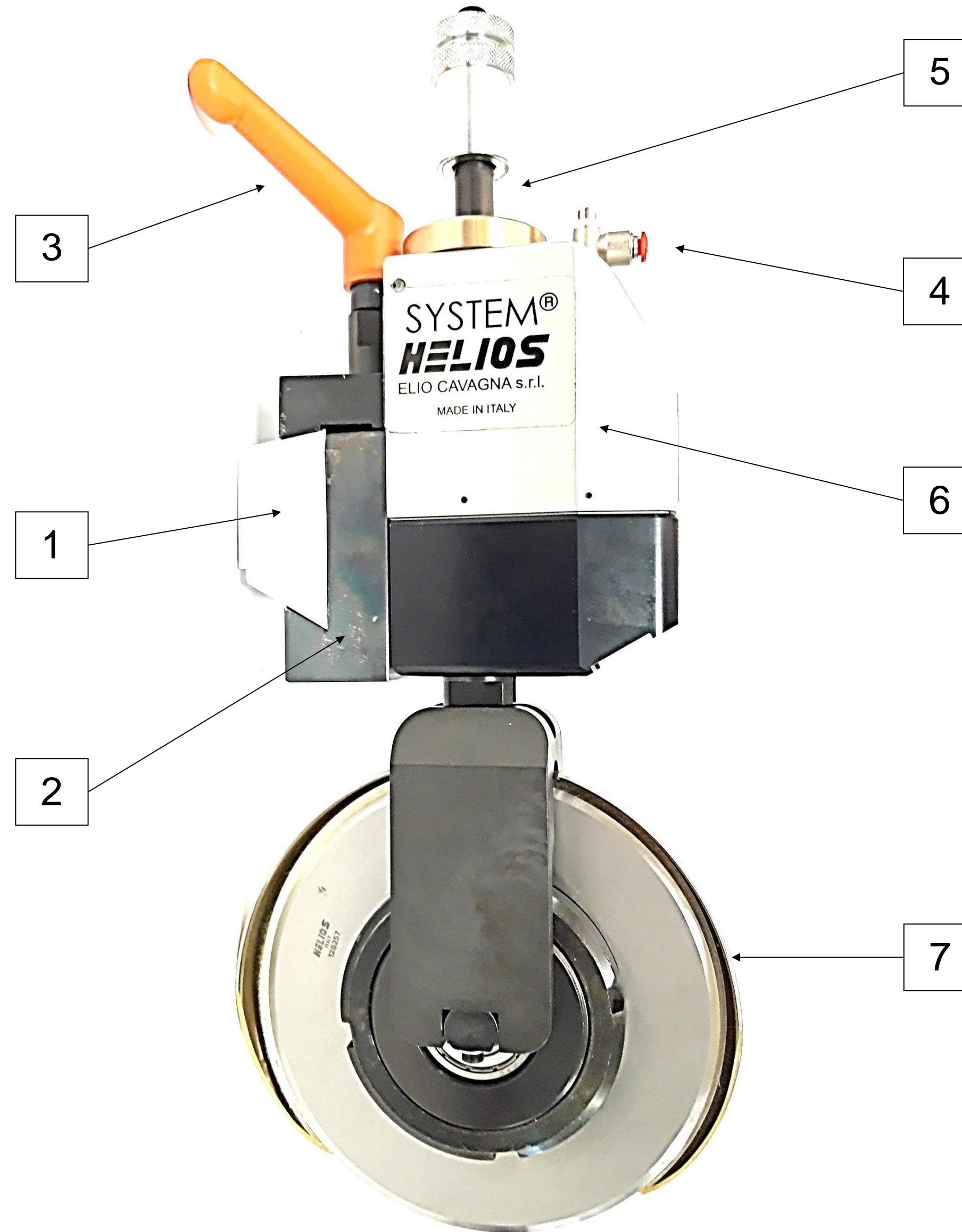
**Indicative values, for alternative materials
ask for our evaluation**

**Usually, to have more benefits, blade longer
life and higher cut quality, we suggest to ins
tall a shear cut solution**



Knifeholder type	Ø D	P
JCS3 TP48C	130-150	48

For any information specific to your application please contact us



JCS3-TP48 Crush cutting knifeholders

MAIN FEATURES

1. Guide
2. Guide clamp
3. Handle for guide lock
4. Air intake for blade descent
5. Blade depth regulation, without nonius
6. Body with double piston for blade descent
7. Blade cover