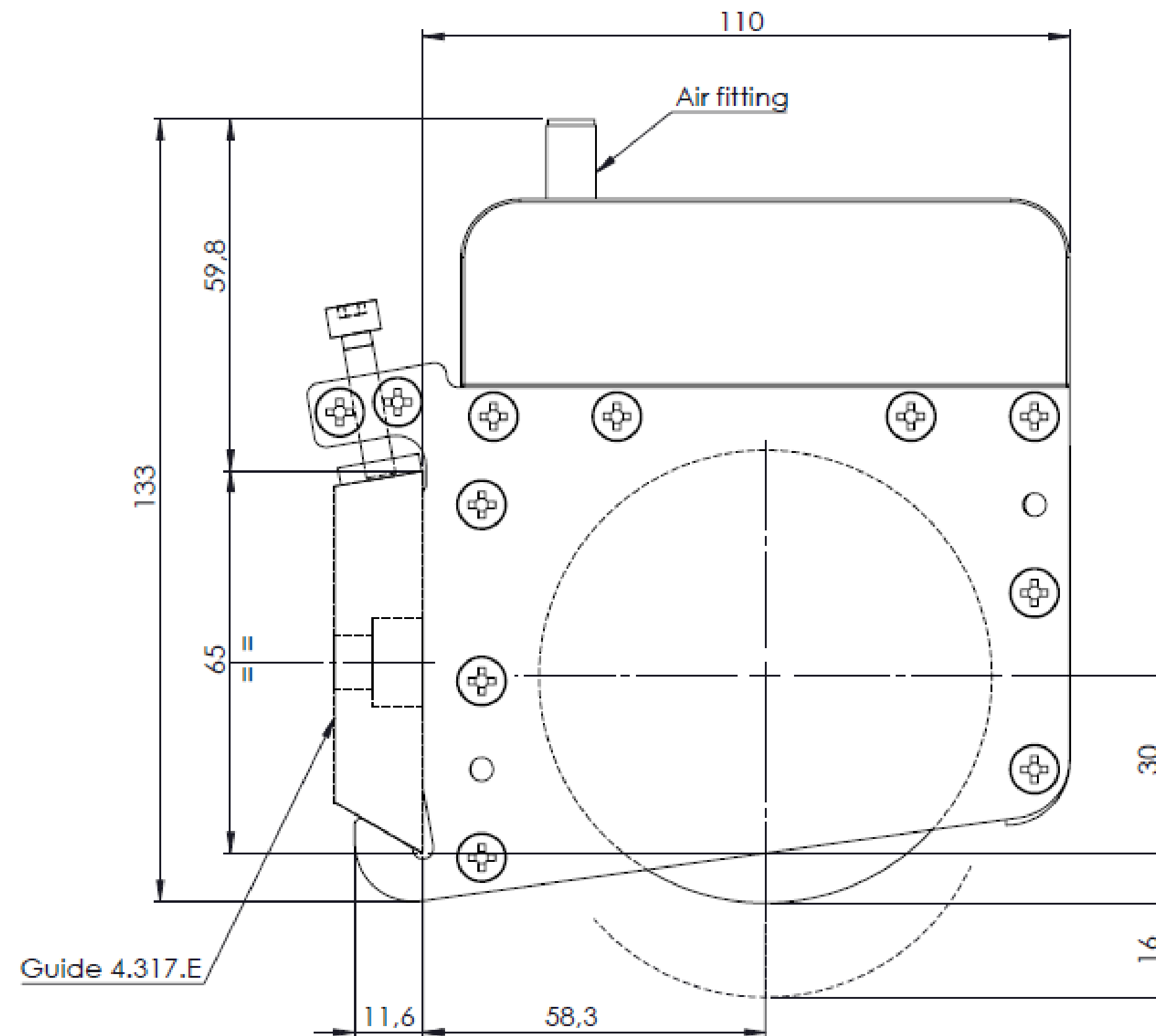
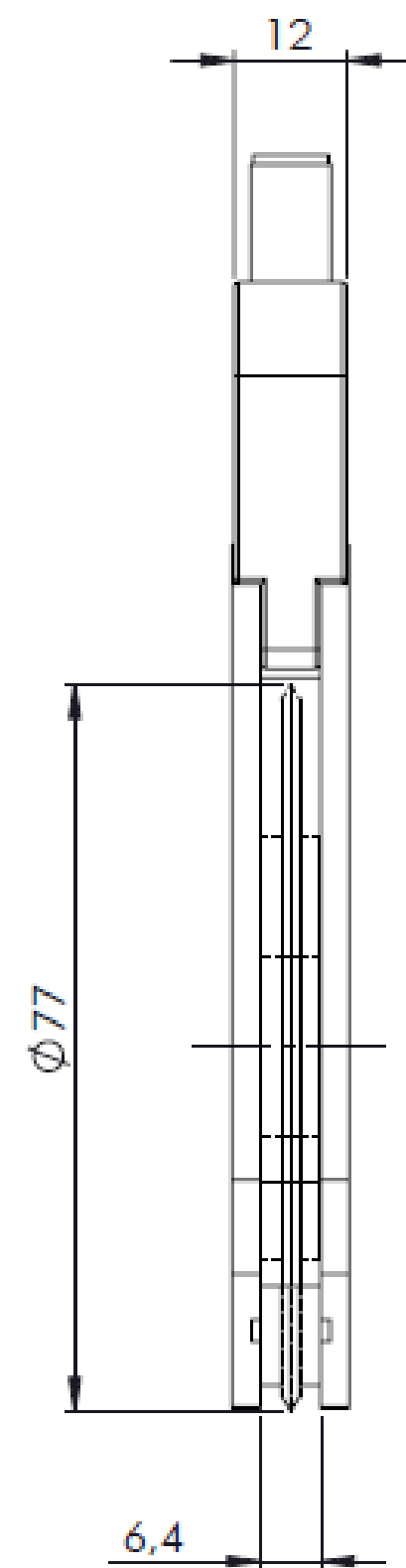




EK-12 Crush cutting knifeholders

| | |
|-------------------|-------|
| Min. slit | 12 mm |
| Blade stroke, max | 16 mm |
| Pressure at 6Bar | 30 kg |



**Indicative values, for alternative materials
 ask for our evaluation**

**Usually, to have more benefits, blade
 longer life and higher cut quality,
 we suggest to install a shear cut solution**

*For any information specific to your
 application please contact us*