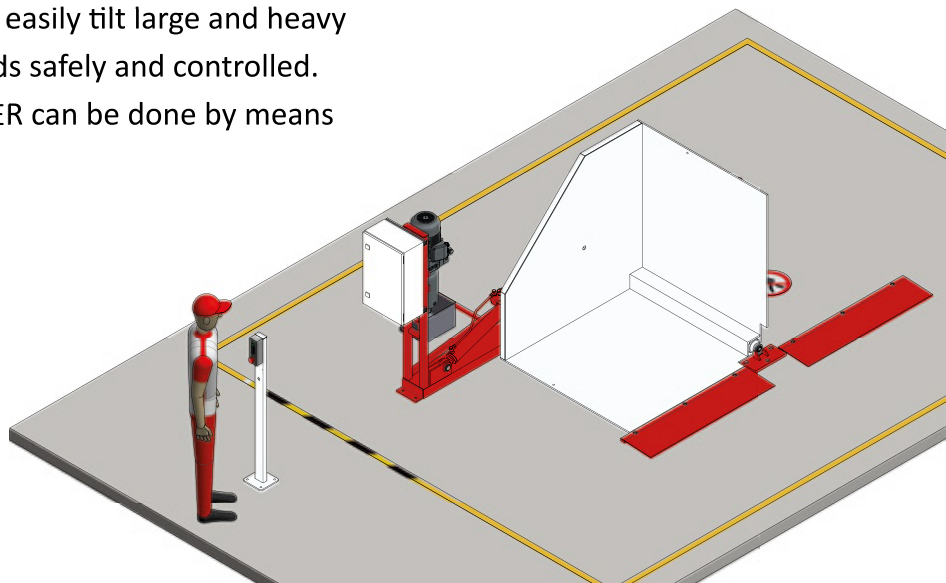


EASY-TIPPER

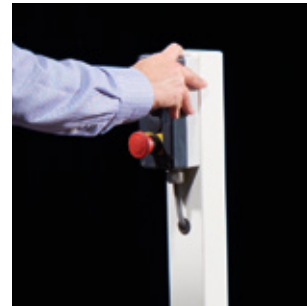
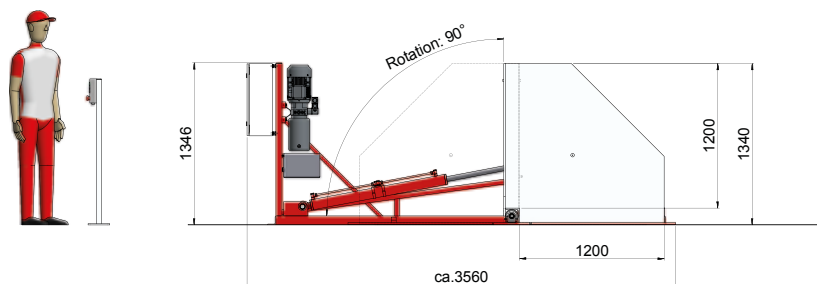
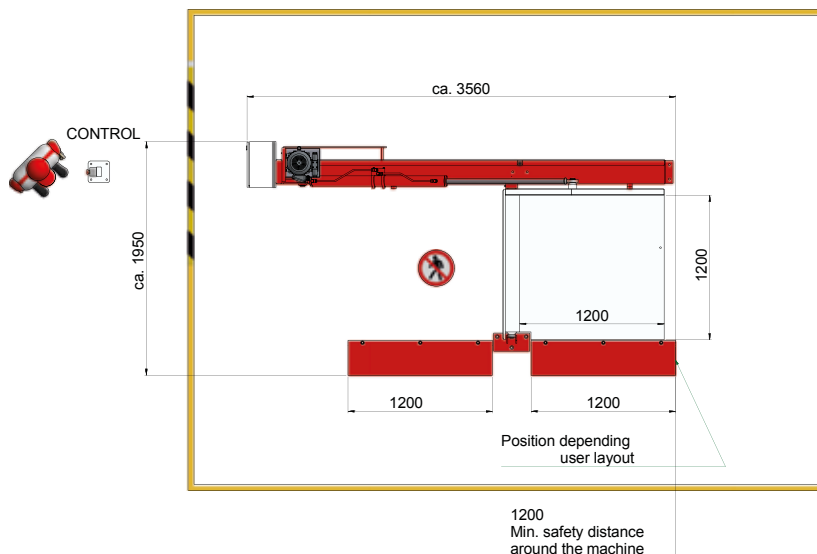


With our 90 degree pallet tipper you can easily tilt large and heavy products such as rolls and packaged goods safely and controlled. Loading and unloading of this EASY-TIPPER can be done by means of a hand pallet or forklift truck. Advantages of this pallet turner:

- ❑ Easy loading and unloading
- ❑ Easy to operate
- ❑ Hold-to-Run operation
- ❑ Easy to self-install
- ❑ Delivery including 2 ramps



EASY-TIPPER



PLACEMENT

The pallet turner is placed as a stand-alone or as customer-specific version integrated into a transport system. Optionally, this EASY-TIPPER can be provided with transport rollers or product carriers further optimizing product handling.

SAFETY

The minimum safety distance around the device is 1200 mm.

The EASY-TIPPER can be equipped (optional) with fencing and/or safety curtains and/or fully automatic.

Besides the EASY-TIPPER we also offer other standard handling solutions e.g. roll, axle and plate handling. Roosen BPL specializes in customer-specific lifting aids.

Your handling issues - we will gladly solve!

TECHNICAL SPECIFICATIONS

Lifting capacity	: max. 1000 kg
Tilting tray dimension (lxwxh)	: 1200 x 1200 x 1200 mm
Tilt angle	: 90 degrees
Height of the appliance	: 1340 mm
Electrical supply	: 3x 400 V / 3 kW
Includes CE declaration	

ROOSEN/BPL 
Exceeding expectations in *handling solutions*

De Giesel 19A, 6081 PG Haelen (NL)
T. +31 (0)475 59 01 02
bpl@bplhandling.com
www.bplhandling.com