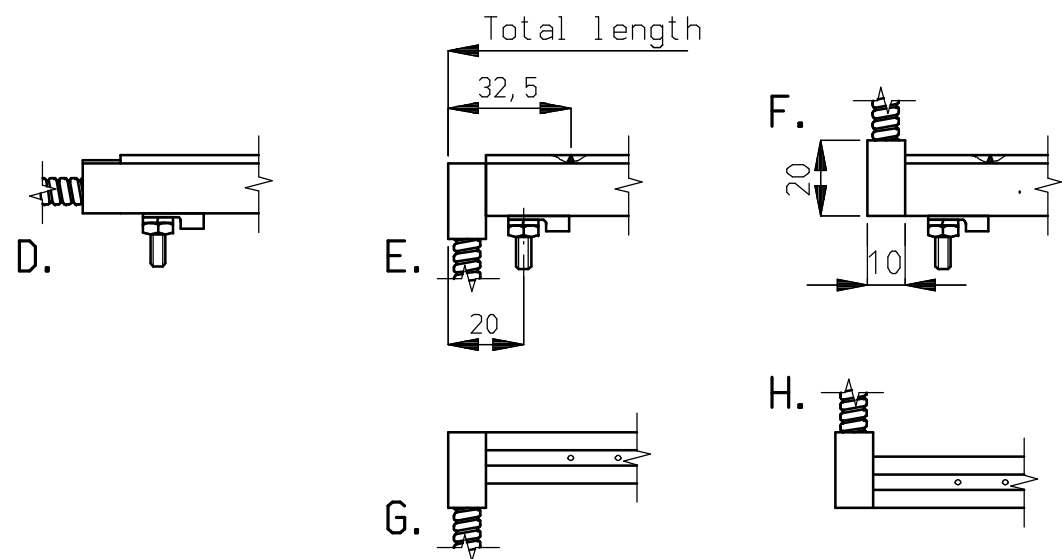
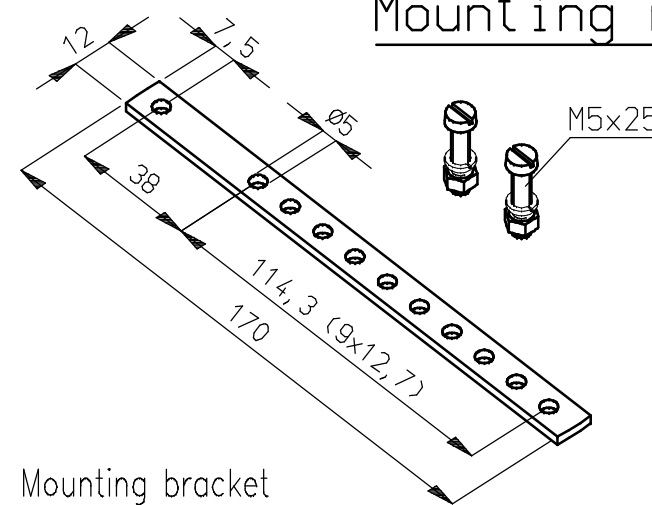


Cable exit options

(With shielded HV-cable)

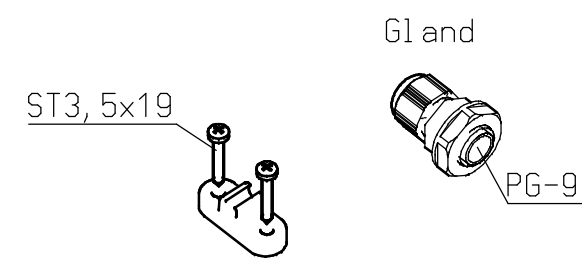


Mounting materials included



Mounting bracket
Each mounting stud 1 bracket
(include screws)

Standard HV-cable



Amount of cable clamps =
(cable length(m)x4)-1

Bar length > 2m

Specify the additional number of mounting bolts on the order

SIMCO ION An ITW Company www.simco-ion.nl Tel: +31 (0)573 288333		Name: ANTI STATIC BAR TYPE 1/2"SS				Drawn: MVN	Part no.: -
CAD generated NOT updated	Dimensions in mm	Date: 18-5-2011	A3	M: 1:1	ECN2012-026	Check: -	Dwg. no.: 15110000/B